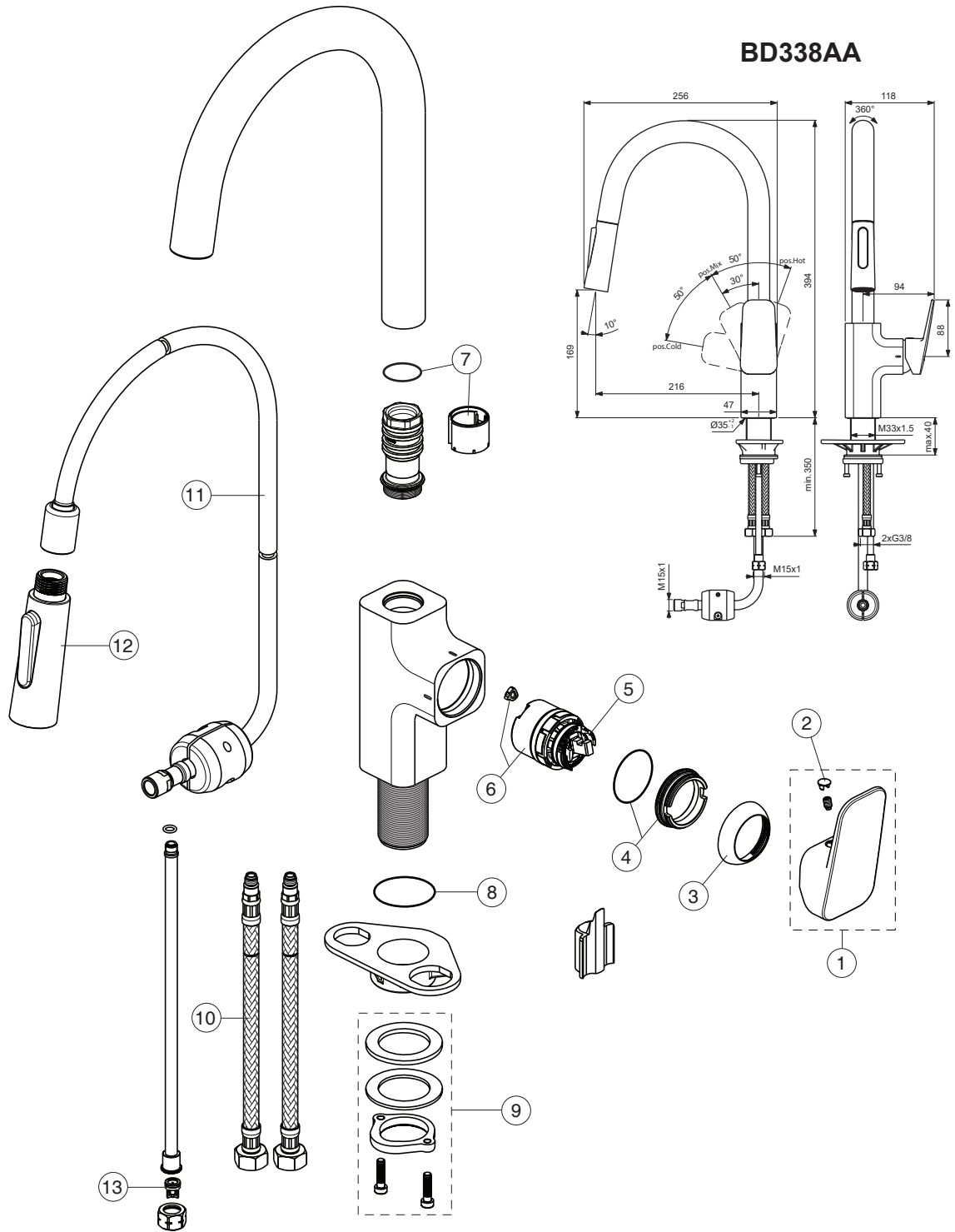




CERAPLAN

Ideal Standard

BD338AA



| Pos. | Signify | Spare parts-Nr. | Quantity | Pos. | Signify | Spare parts-Nr. | Quantity |
|------|---------------------------|-----------------|----------|------|---------|-----------------|----------|
| 1 | Lever,w/logo | B961718AA | 1 Set | | | | |
| 2 | Cap decorative | B960473AA | 1 Pcs. | | | | |
| 3 | Rosette M38x1.5 | B961438AA | 1 Pcs. | | | | |
| 4 | Screw M41x1.5/M38x1.5 | B961374NU | 1 Set | | | | |
| 5 | Hot limit stop | A861181NU | 1 Pcs. | | | | |
| 6 | Cartridge Ø38mm | A861156NU* | 1 Pcs. | | | | |
| 7 | Sealing set for tub.spout | B961582NU | 1 Set | | | | |
| 8 | O-Ring Ø37.77x2.62 | A962574NU | 1 Pcs. | | | | |
| 9 | Connecting group | B960255NU | 1 Set | | | | |
| 10 | Fl.hose G3/8,M8x1/L500 | A962005NU | 1 Pcs. | | | | |
| 11 | Plastic hose L1500 | B960460NU | 1 Pcs. | | | | |
| 12 | Pull-down spray 2F | B961746AA | 1 Pcs. | | | | |
| 13 | Rv-patrone | A960944NU | 2 Pcs. | | | | |

*Universal set (not all parts needed)

10.2021